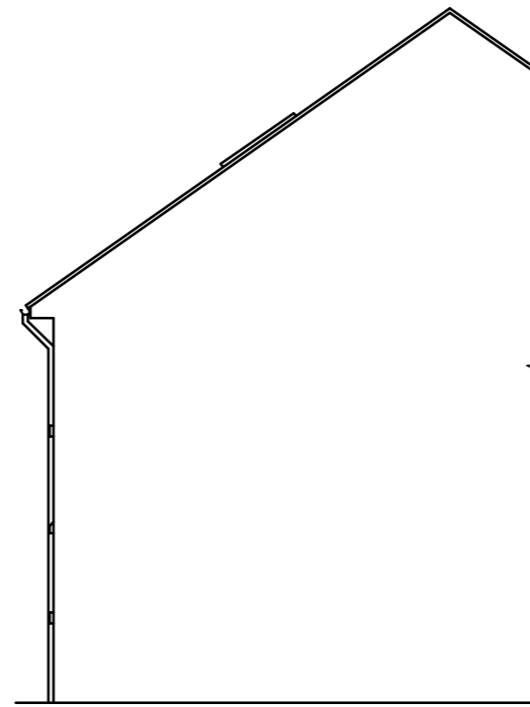


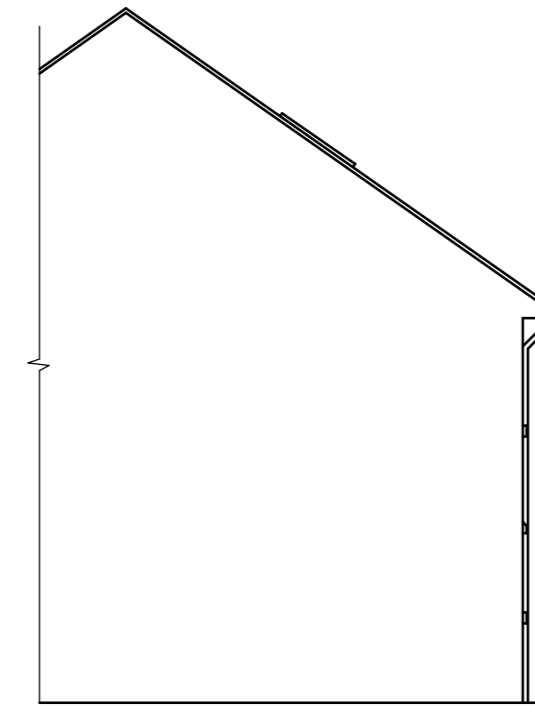
Revisions



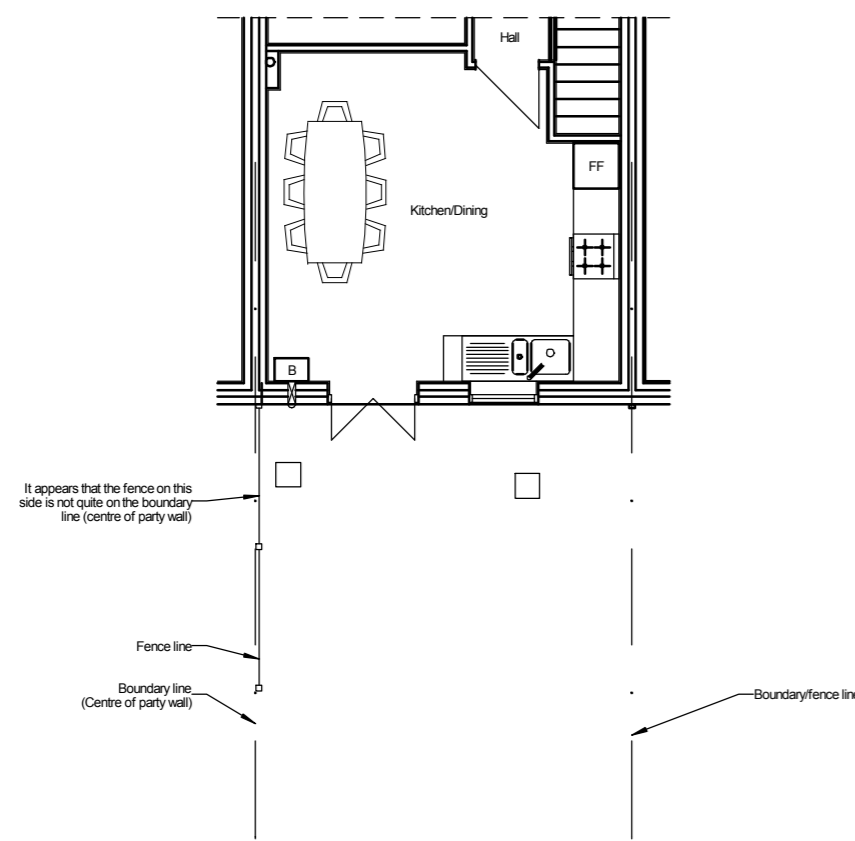
Existing Rear Elevation



Existing Side Elevation (Part)



Existing Side Elevation (Part)



Existing Ground Floor Plan (Part)



Scale Bar

Notes

The contractor is responsible for checking dimensions on site before work is carried out.
SGT Building Design to be notified of any discrepancies.
© SGT Building Design unless otherwise agreed.

SGT Building Design

drawing title

Single Storey Rear Extension

site

scale 1:100 @ A2

drawing no. 2000-01

date

revision